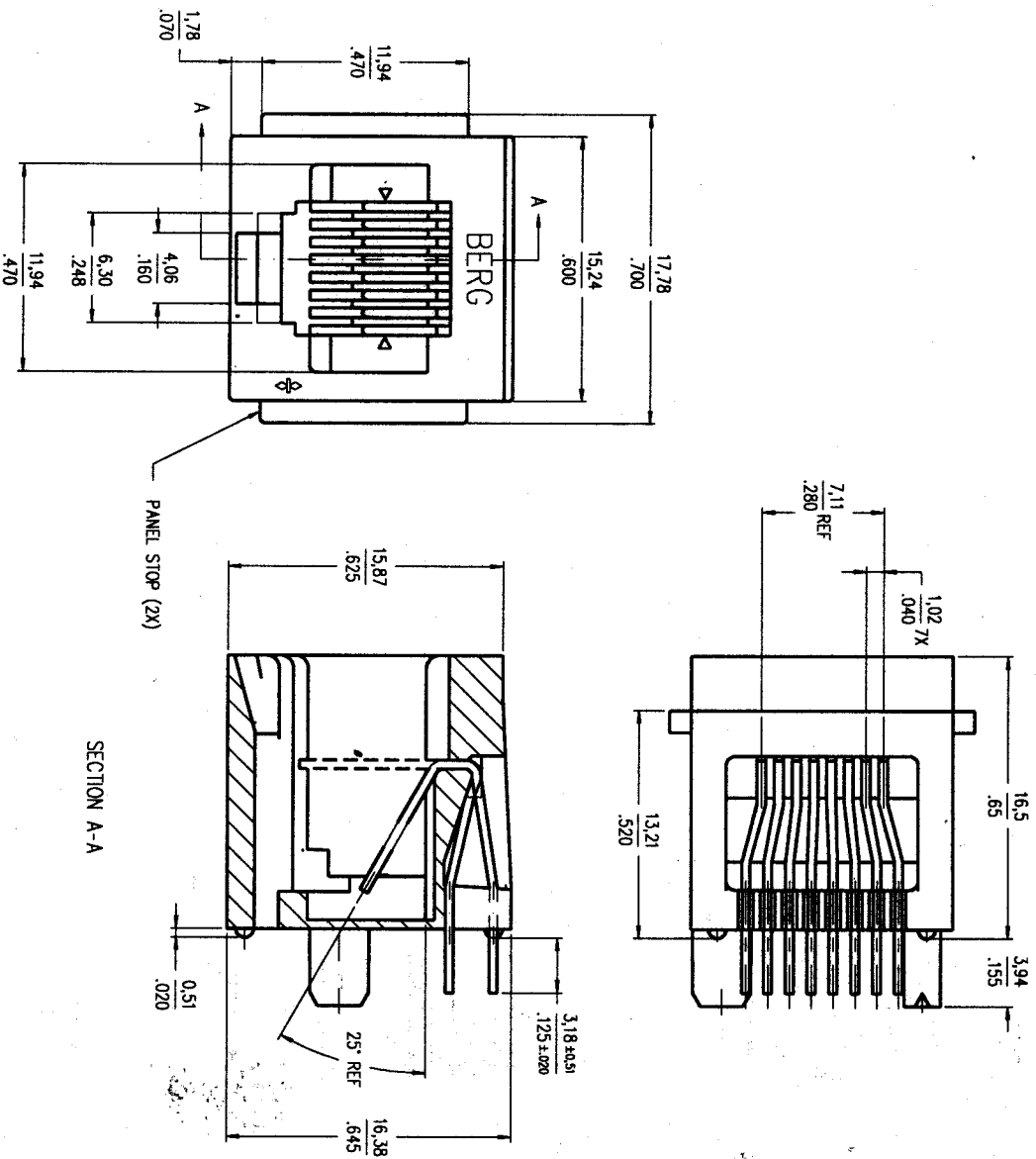
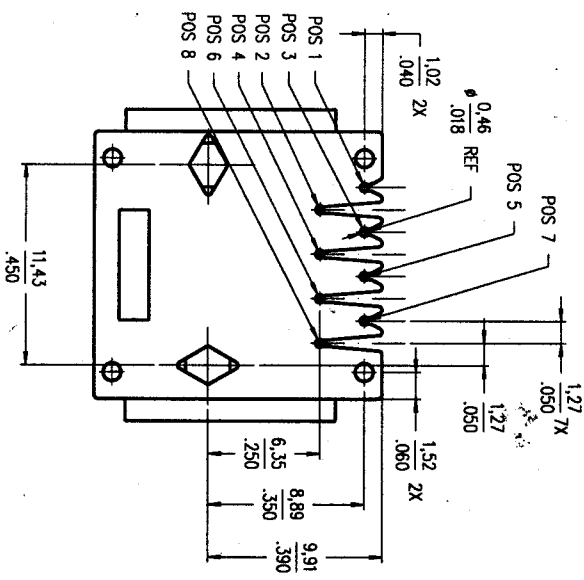




PRODUCT NO.  
SEE TABLE



SECTION A-A



form no. 7330-001-103

REV	DATE	BY	CHKD	DESCRIPTION
1	11/28/78	MM	MM	INITIAL RELEASE
2	11/28/78	MM	MM	INITIAL RELEASE
3	11/28/78	MM	MM	INITIAL RELEASE
4	11/28/78	MM	MM	INITIAL RELEASE
5	11/28/78	MM	MM	INITIAL RELEASE
6	11/28/78	MM	MM	INITIAL RELEASE

modl code	customer	part no	date	status
88785	FCI	88785	11/28/78	Released

customer	part no	date	status
FCI	88785	11/28/78	Released

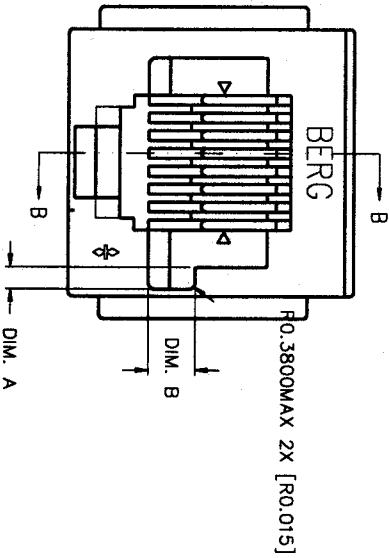
customer	part no	date	status
FCI	88785	11/28/78	Released

PRODUCT NO.	DM. A	DM. B	STYLE	POSITIONS LOADED	CONTACT PLATING	NOTES	COLOR	PANEL STOP
88785-001	-	-	UNKEYED	ALL	1.27um / 500 <sup>u</sup> Au	-	BLACK	YES
-001LF	-	-	UNKEYED	ALL	GXT	-	BLACK	YES
-002	-	-	UNKEYED	ALL	1.27um / 500 <sup>u</sup> Au	-	BLACK	YES
-002LF	-	-	UNKEYED	ALL	GXT	-	BLACK	YES
-003	1.25 / .050	2.69 / .106	KEYED	ALL	1.27um / 500 <sup>u</sup> Au	NOT TOOLED	BLACK	YES
-003LF	-	-	KEYED	ALL	GXT	NOT TOOLED	BLACK	YES
-004	1.25 / .050	2.69 / .106	KEYED	ALL	GXT	NOT TOOLED	BLACK	YES
-004LF	-	-	KEYED	ALL	GXT	NOT TOOLED	BLACK	YES
-005P	-	-	UNKEYED	ALL	GXT	-	WHITE	YES
-005PLF	-	-	UNKEYED	ALL	GXT	-	WHITE	YES
-006P	-	-	UNKEYED	ALL	GXT	-	WHITE	NO
-006PLF	-	-	UNKEYED	ALL	GXT	-	WHITE	NO
-007	-	-	UNKEYED	ALL	GXT	-	BLACK	NO
-007LF	-	-	UNKEYED	ALL	GXT	-	BLACK	NO

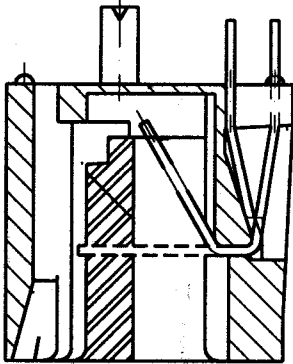
LEAD FREE PRODUCT NO.

NOTE :

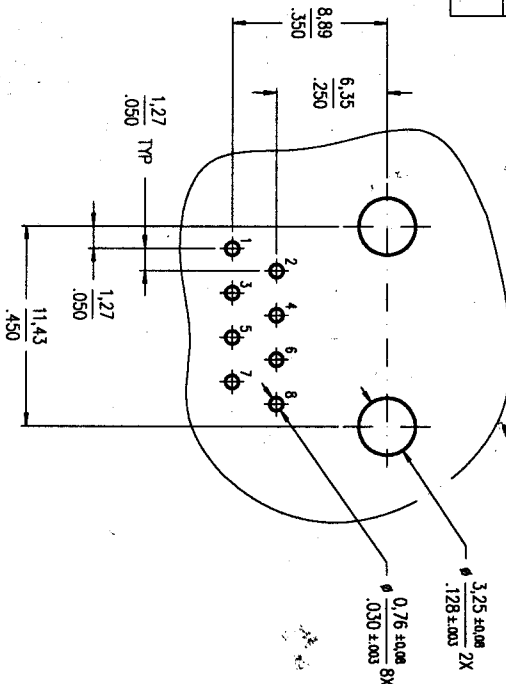
- SPECIAL PACKAGING: (BUS-14-271)
- GXT IS 0.76um / 300<sup>u</sup> MIN GXT WITH Au FLASH OVER  
1.27um / 500<sup>u</sup> MIN Ni
- MATERIAL AND COLOUR DESCRIPTION,  
P/N WITH DASH 005P & 006P - POCAN B4235  
WHITE 01-028 (REF RAL 1013)
- THIS PRODUCT MEETS EUROPEAN UNION DIRECTIVES AND OTHER  
COUNTRY REGULATIONS AS DESCRIBED IN GS-22-008  
IF LF P/N PACKAGING MEETS GS-14-920 SPECIFICATION
- THE HOUSING WILL WITHSTAND EXPOSURE TO 260°C PEAK  
TEMPERATURE FOR 5 SECONDS IN A WAVE SOLDER APPLICATION  
WITH A 1.57mm MINIMUM THICK CIRCUIT BOARD



KEYED STYLE



SECTION B-B



BOARD LAYOUT  
VIEWED FROM TOP

matl. code	revision	customer	FCI																				
88785-001	AS	88785	FCI																				
<table border="1"> <tr> <th>REV</th> <th>DATE</th> <th>DESCRIPTION</th> <th>BY</th> <th>CHK</th> </tr> <tr> <td>1</td> <td>11/28/03</td> <td>NEW PRODUCT</td> <td>AS</td> <td>AS</td> </tr> <tr> <td>2</td> <td>11/28/03</td> <td>REVISION</td> <td>AS</td> <td>AS</td> </tr> <tr> <td>3</td> <td>11/28/03</td> <td>REVISION</td> <td>AS</td> <td>AS</td> </tr> </table>				REV	DATE	DESCRIPTION	BY	CHK	1	11/28/03	NEW PRODUCT	AS	AS	2	11/28/03	REVISION	AS	AS	3	11/28/03	REVISION	AS	AS
REV	DATE	DESCRIPTION	BY	CHK																			
1	11/28/03	NEW PRODUCT	AS	AS																			
2	11/28/03	REVISION	AS	AS																			
3	11/28/03	REVISION	AS	AS																			
<table border="1"> <tr> <th>DATE</th> <th>DESCRIPTION</th> </tr> <tr> <td>11/28/03</td> <td>NEW PRODUCT</td> </tr> <tr> <td>11/28/03</td> <td>REVISION</td> </tr> <tr> <td>11/28/03</td> <td>REVISION</td> </tr> </table>		DATE	DESCRIPTION	11/28/03	NEW PRODUCT	11/28/03	REVISION	11/28/03	REVISION	<table border="1"> <tr> <th>DATE</th> <th>DESCRIPTION</th> </tr> <tr> <td>11/28/03</td> <td>NEW PRODUCT</td> </tr> <tr> <td>11/28/03</td> <td>REVISION</td> </tr> <tr> <td>11/28/03</td> <td>REVISION</td> </tr> </table>		DATE	DESCRIPTION	11/28/03	NEW PRODUCT	11/28/03	REVISION	11/28/03	REVISION				
DATE	DESCRIPTION																						
11/28/03	NEW PRODUCT																						
11/28/03	REVISION																						
11/28/03	REVISION																						
DATE	DESCRIPTION																						
11/28/03	NEW PRODUCT																						
11/28/03	REVISION																						
11/28/03	REVISION																						
<table border="1"> <tr> <th>DATE</th> <th>DESCRIPTION</th> </tr> <tr> <td>11/28/03</td> <td>NEW PRODUCT</td> </tr> <tr> <td>11/28/03</td> <td>REVISION</td> </tr> <tr> <td>11/28/03</td> <td>REVISION</td> </tr> </table>				DATE	DESCRIPTION	11/28/03	NEW PRODUCT	11/28/03	REVISION	11/28/03	REVISION												
DATE	DESCRIPTION																						
11/28/03	NEW PRODUCT																						
11/28/03	REVISION																						
11/28/03	REVISION																						

PDM: Rev:M STATUS: Released PHILIP: 2007.01.2017

HIGH PROFILE 8 POS VERT.  
P.C.B. MOD JACK ASSY